

SureBuilt

Concrete Forms & Accessories

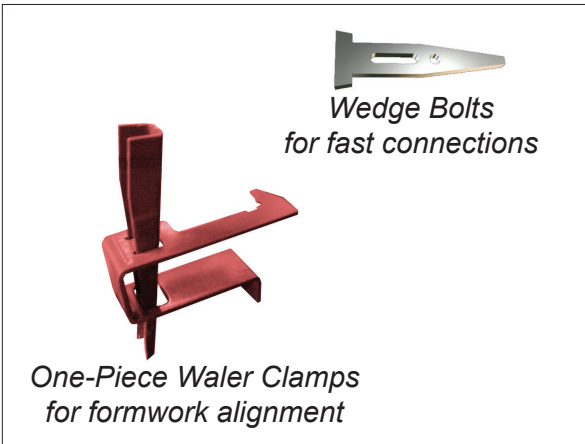


SurePly™ Forming System





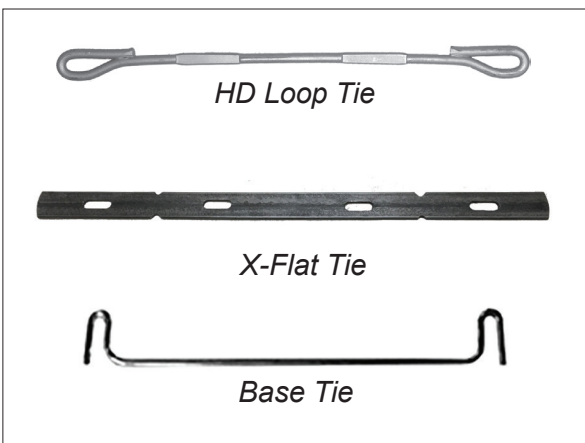
More dado slots along the side rail provide alternate tie locations “stepping” forms.



Wedge Bolts
for fast connections

One-Piece Waler Clamps
for formwork alignment

Fewer hardware components reduce form assembly time, increasing productivity.



HD Loop Tie

X-Flat Tie

Base Tie

The form, tie and hardware capacities are designed as a 1,000 psf system.

***The most economical, most versatile,
and most efficient way to form concrete!***

Two 2x8 panels are equal to the contact area of a 4x8 sheet of plywood, yet the SurePly forming system can be moved, placed, tied, poured and stripped 75% faster than job-built plywood forms.

Small or large projects, simple or cut-up layouts, and handset or gangform applications, will benefit from these SurePly Forming System features:

- High-carbon 55,000 PSI structural steel frame
- Rugged frame with 45% more weld than others
- Full 2"x2" crossmember support angle every foot
- Allowable 1,000 psf load-rated system
- Added dado slots make step footings easy
- Integral handle for carrying and setting
- Electrostatic paint in 12 optional colors
- Long-lasting 1/2" Birch or optional HDO plywood
- Panels in heights from 3' to 10', width 24"
- Fillers in heights from 3' to 10', widths 1" to 22"
- Simple hardware for faster assembly

Rugged Frame

With nearly 45% more weld contact than others, SurePly side rails, end rails and crossmembers hold up better, with far less repair, than other brands.

2" Crossmembers

Full 2" crossmembers provide 45% more plywood contact area compared to the 1-3/8" crossmember of other brands. More support reduces “pillowing” for a better finish.

Load-rated 1,000 psf System

The form, tie and hardware capacities are designed to provide an optimal strength-to-weight ratio and 1,000 psf forming system.

More Dado Slots

Four more dado slots along each side rail provides alternate tie and hardware locations - particularly valuable when stacking or “stepping” forms.

Integral Handle

Carrying, holding and setting panels is easier and faster with the integral handle. Moving more panels means more forming productivity.

Electrostatic Paint

The smooth, extra tough SurePly form finish is more durable than the ordinary dip-tank painting common with other brands.

Color Options

Forms are available in a choice of 12 standard colors, which is ideal for company branding and/or identifying rental fleets. Custom colors on request.

Long-lasting Birch Plywood

All standard SurePly panels and fillers include 1/2” Birch plywood. This hardwood species and 9-ply design with 220/220 overlay provides a long-lasting form face.

HDO Plywood

1/2” HDO plywood is readily available throughout North America and often a customer preference. This optional face can be installed in panels and fillers on request.

Panel and Filler Sizes

Form layouts are quickly planned and assembled using the standard panel and filler sizes. Setting, stepping and stacking forms is more productive.

Simple Hardware

Wedge Bolts capture the form tie and adjoining side rails for a fast and simple connection. One-Piece Waler Clamps at each joint (with 2x4 lumber) provide form alignment.

Form Renovation

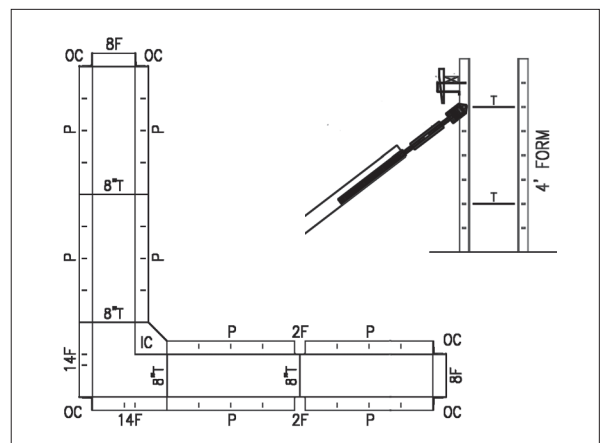
Renovation includes plywood removal, shot-blasting and painting. These “like-new” frames are then re-faced to customer specifications.



SurePly panels and fillers include 1/2” Birch plywood, a long-lasting form face.



Forms are available in a choice of 12 colors, ideal for company branding.



Project details, like corners, are quickly formed with standard SurePly components.

Line Card



Bar Support *

Slab Bolster
Slab Bolster Upper
Individual High Chair
Continuous High Chair
Continuous High Chair Upper
Beam Bolster

Bridge Deck Forming

Bridge Overhang Bracket *
Curing Blankets
Exterior Hangers *
Exterior Half Hangers *
Interior Hangers *
Interior Half Hanger *
Adjustable Joist Hanger

Coil Rod *

1/2", 3/4", 1" Coil Rod
1-1/4" Coil Rod
15mm, 20mm Coil Rod

Coil Ties *

1/2", 3/4", 1" Coil Ties
1-1/4" Coil Ties

Concrete Hoppers

Hoppers
Elephant Trunk
Tremie Pipe
Steel Collar

Floor Systems *

Dowel Basket
Taper Dowel
Steel Edge Nosing
VaporStop & Tape

Form Liners *

HIPS - Single Use
ABS - Up to 10 Uses
PE - Up to 40 - 50 Uses
PPE - Up to 100+ Uses

Form Ties *

HD Loop Ties
HD Gang Loop Ties

Form Ties *

X-Flat Ties
Base Ties
Aluminum Form Ties

Heavy Forming *

SOLO Clamp Form 1500PSF
SureCurve Radius Form
Sure Beam
Articulated Waler
Steel Circular Column Form
Taper Ties
She-Bolts
Inner Units
Euro Taper Ties
Euro She-Bolts
Flat Washers

GFRP Reinforcement Bar *

#2-#11 Reinforcement Bar

Metal Rib *

Expanded Metal Mesh

Modular Braces *

Type 6-5/8"
Type 8-5/8"

Pipe Braces *

Plywood Forming *

Coil Ties
Pencil Rod and Clamps
Self-Centering Ties
Snap Ties

Precast

Anchor Rail HD
Coil Inserts *
Column Wall Edge Connector *
Ferrule Inserts *
Helical Ground Anchors *
Ring and Cable Lifters
Slant Anchor *
Straight Leg Anchor *
Wall Base Connector *
Wire / FRP Truss *

Rebar Safety Caps

Rebar Splicing *

Groutec
Unitec

Self-Riser System *

Shoring *

Cross Braces
Frames
Post Shores
Screw Jacks

Snap Ties *

SPAN-X Beams *

Staybox Rebar Splicing *

Steel Stakes *

3/4" Stakes
7/8" Stakes

Stud Rail DSA & DSAR *

Thermal Break

SurePly™ Handset Forming *

Panels and Fillers
Hardware
HD Loop Ties
X-Flat Ties
Birch Plywood

Tilt-Up

Brace Inserts *
Helical Ground Anchors *
Lifting Hardware
ProLift Inserts *
Slant Anchor *
SureLift (SL) Inserts *
Edge Form Brackets
Construction Adhesive *
FRP Truss / Connectors *
XL Lift Inserts *

Walers *

Butt Plate
Double Channel

* Products are Made in the USA or available to be made in the USA

SureBuilt
Concrete Forms & Accessories

2525 Armitage Ave
Melrose Park, IL 60160
708-493-9569
www.surebuilt-usa.com

